



E-mail: distributor@hyggeraquarium.com

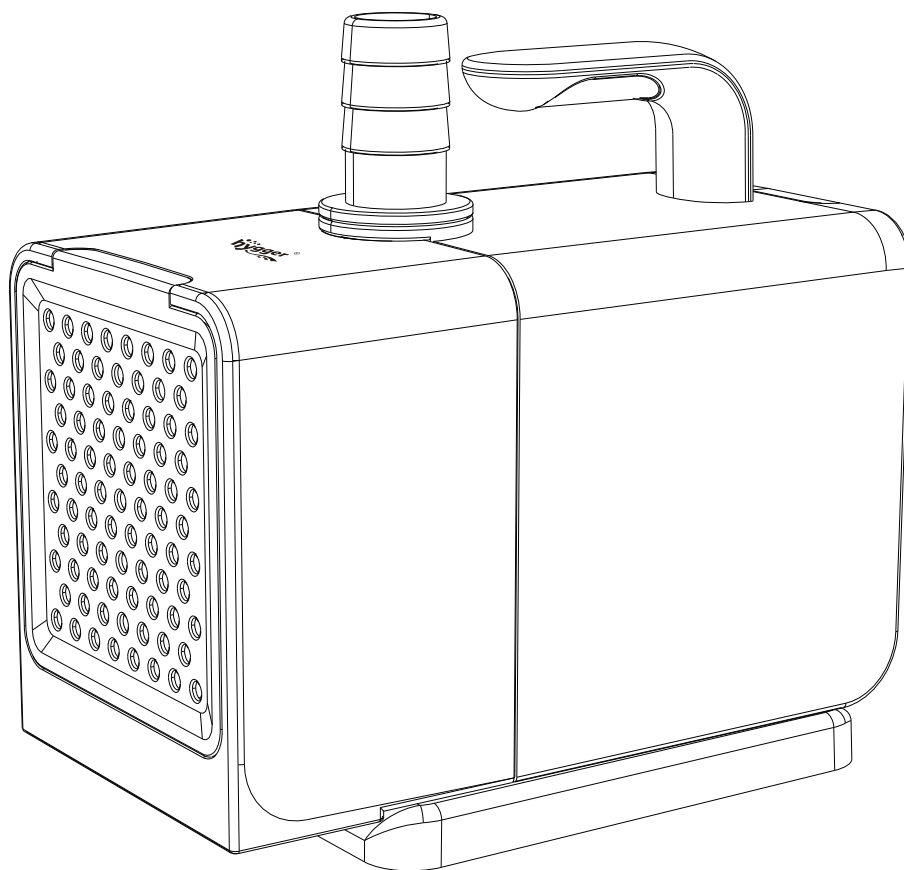
Website: www.hyggeraquarium.com



HG077 USER MANUAL

hygger Submersible Water Pump

hygger submersible water pump is simple in appearance and practical in function, perfect for powering fountains, ponds, spitters , aquarium water change and refills.



CAUTION: Please ensure the pump is fully submerged in water before plugging it in. The pump is designed for underwater use only.

1. PRODUCT FEATURES

High Lift and Quiet operation: hygger water pump is available in two sizes, 12W and 28W, providing a maximum pumping height/lift of 3.3-Feet and 5.4-feet.

High performance and energy-efficient.

Easy to disassemble and clean: The water inlet of the pump is designed for easy removal and clean.

Adjustable water flow speed: The 12w water pump can turn the water flow up and down with a handy slider on the side of the pump. 28W is unable to direct water flow.

Two Sizes Adapters: Comes packaged with two adapters for 1/2-inch, 5/8-inch ID tubing.

Perfect for aquariums, ponds, fountains, waterfalls, hydroponic systems, irrigation systems and water features.

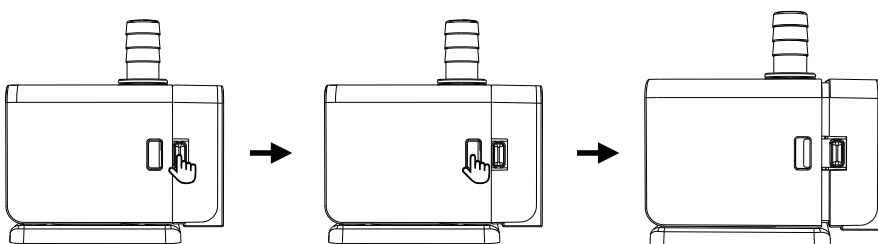
Ceramic shaft made it suitable for used in freshwater and saltwater.

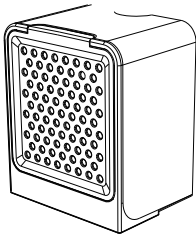
2. PRODUCT PARAMETERS

Model No:	Voltage & Frequency	Rated Power (W)	Max Head (ft)	Max Flow (GPH)	Cord Length (ft)	Measurement (inch)
HG077-12W	110-120V/ 60 HZ	12	3.3	160	6.6	3.77x2.08 x2.6
HG077-28W		28	5.4	400		4.84x2.64 x3.07

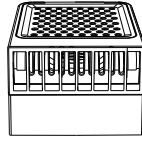
3. INSTRUCTIONS

1) . Installation for bottom hood and side hood:





Side suction hood

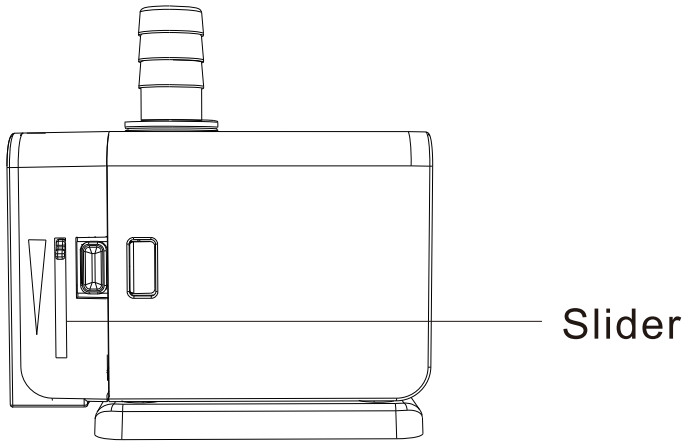


Bottom suction hood

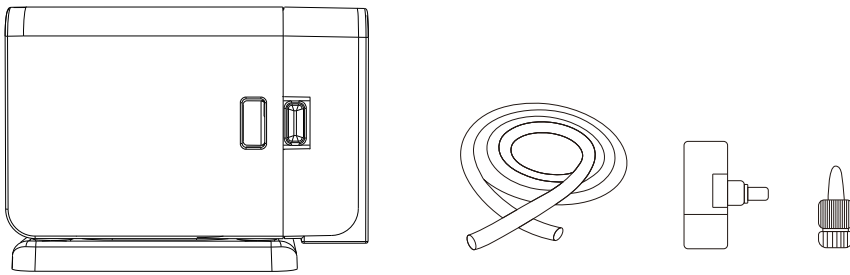
Press the little button on the side of the water pump, then take out the hood, and put another hood on, align it with the groove, and press hard.

2). Direct water flow:

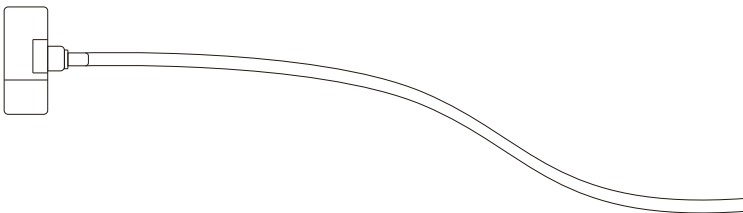
Adjust water flow by sliding side hood's slider (28W have no slider)



3). Installation for aeration:



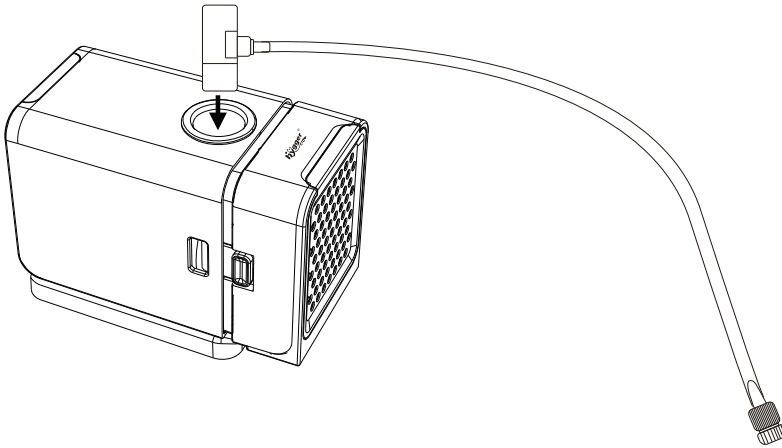
1. connect water outlet to airline tubing



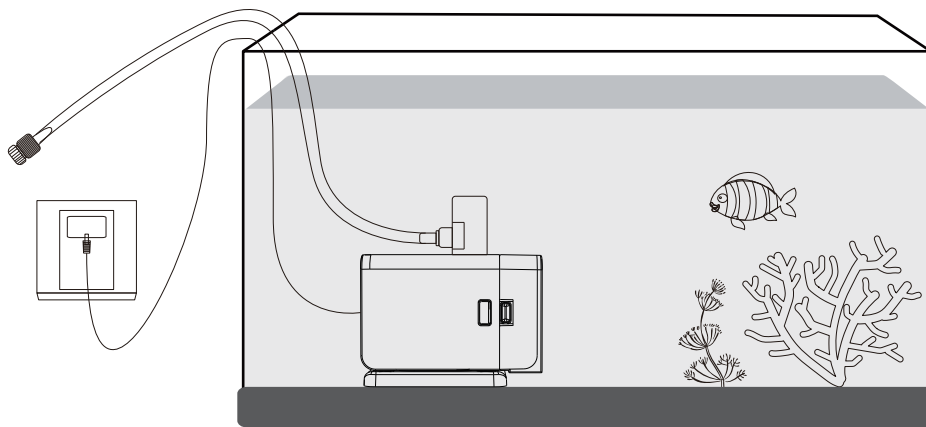
2. connect regulating valve to airline tubing



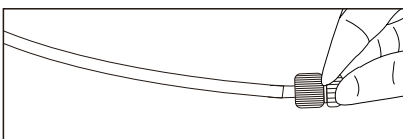
3. connect water outlet with water pump



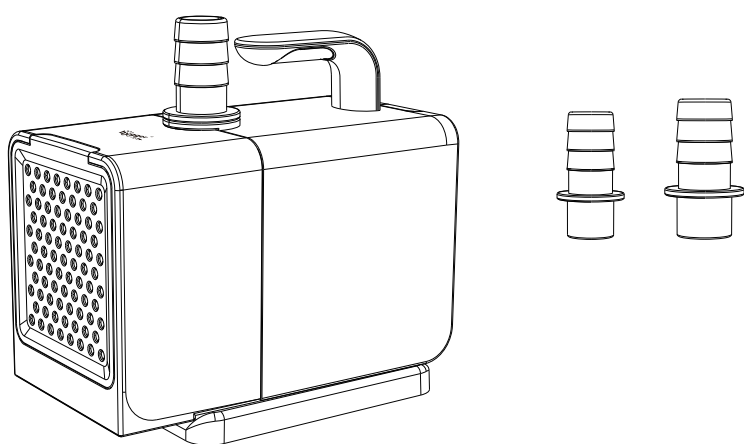
4. Place water pump at the bottom of the tank with suction cups keep in place, put air tubing outside of the tank, plug in and go



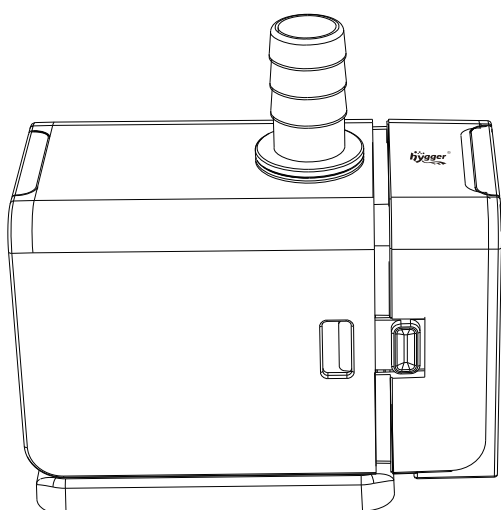
Attention: To dial the cap of the regulating valve, it can increase or decrease oxygen output.



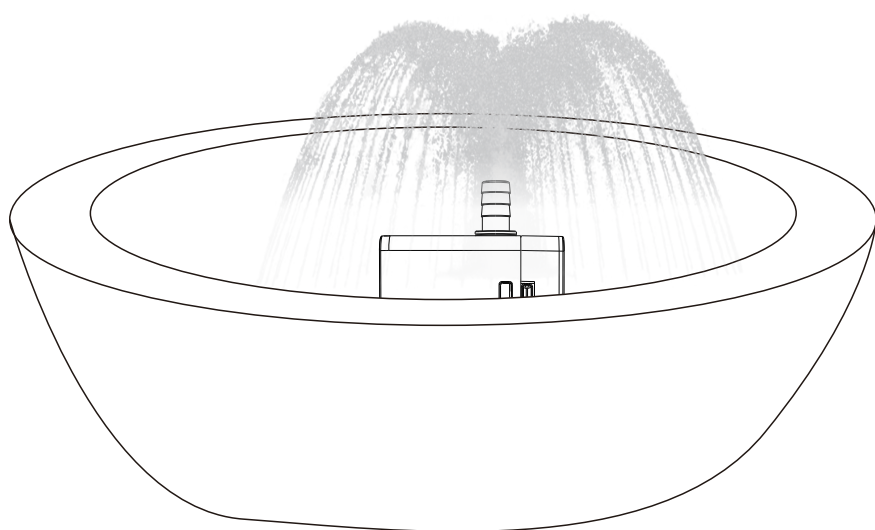
3). Installation for pumping fountain:



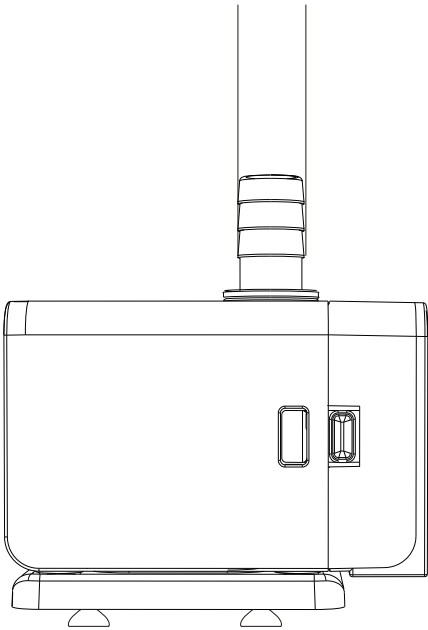
1. Choose the desired adapter and mount it on water pump



2. Plug in and go

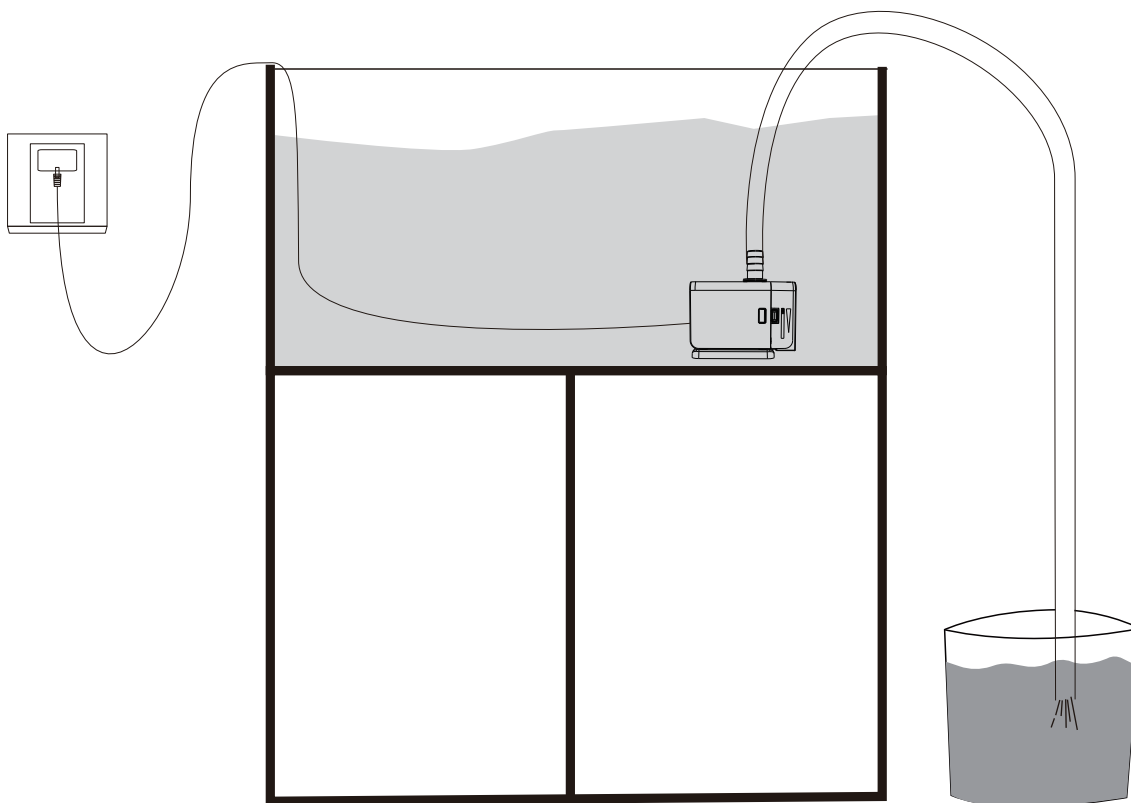


3. With bottom suction cups, water pump can be attached to the side of the aquarium or bottom to circulate water. Please make sure that the water pump is fully submerged. To achieve higher lift, you can connect a section of water hose with adapter.



4). Aquarium Water Change

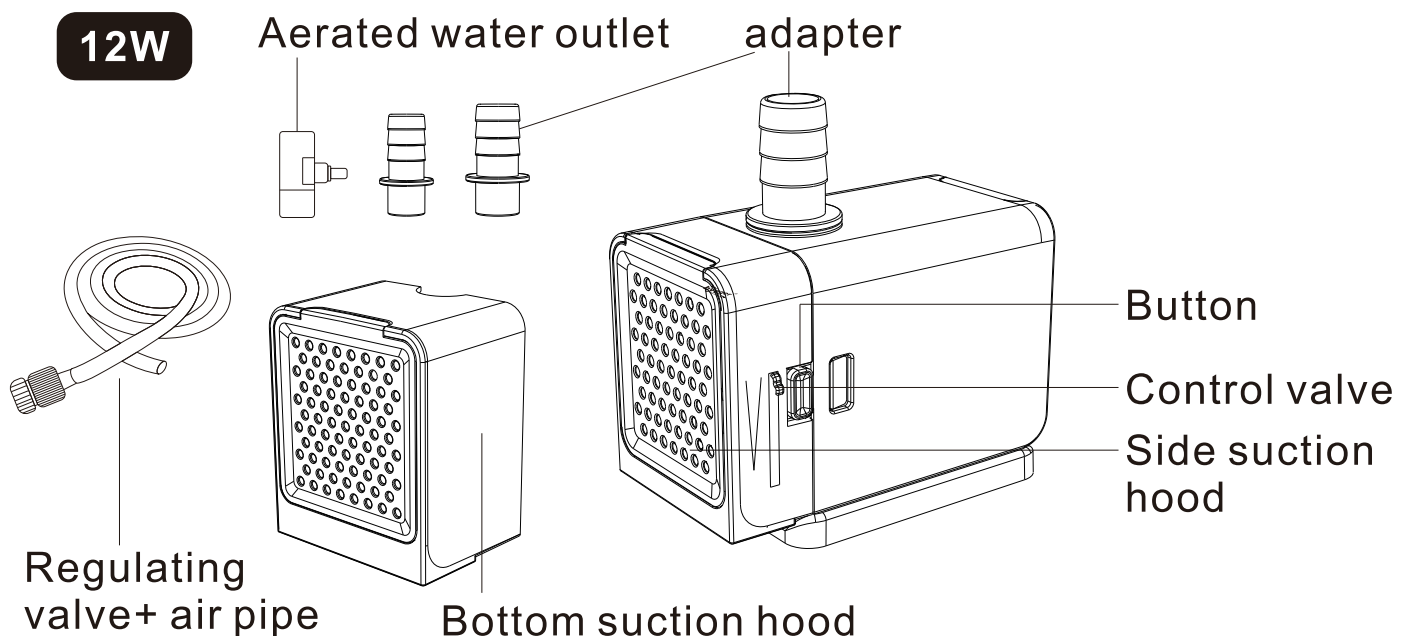
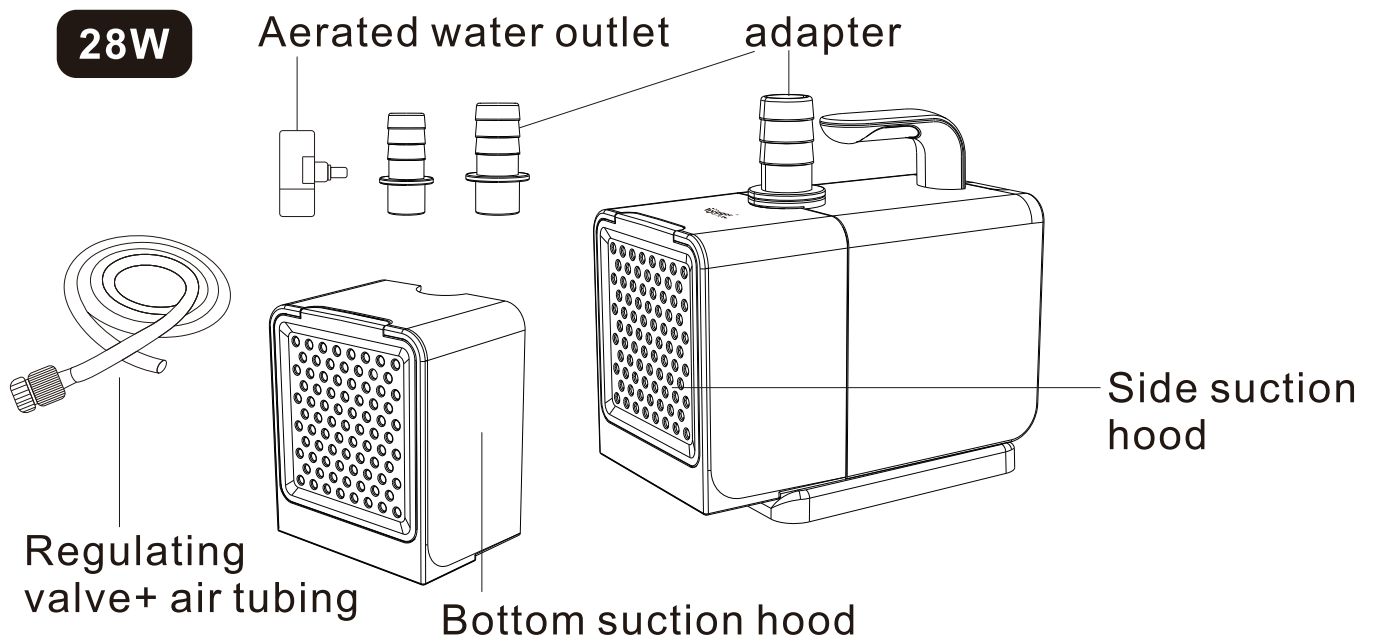
1. Choose the desired adapter and mount it on water pump
2. Connect hose to adapter
3. Place water pump at the bottom of aquarium, plug in and go



4. TROUBLE SHOOTING

Trouble	Solution
Stop Working	Check whether the impeller is blocked
No Bubble	Dial the regulating valve to loose
Fail To Refill	Exceed max head. Put bucket on top of a chair/table to reduce height
Low Lift	Cut a 8" long hose connect to adapter and try again

5. PRODUCT & PARTS



6. PACKAGE INCLUDES

- 1× User manual
- 1× Regulating valve
- 1× air tubing
- 1× Aerated water outlet
- 1× Bottom Hood
- 1× Side Hood
- 2× Adapters (12mm, 15mm)

7. WARNING: To guard against injury, basic safety precautions should be observed including the following:

1. Read and follow this user manual strictly.

2. **DANGER-**To avoid possible electric shock, special care should be taken since water is employed in the use of aquarium equipment. For each of the following situations, do not attempt to repair yourself; return the pump to an authorized service facility for service or discard the pump.

A. If the pump shows any sign of abnormal water leakage or RCD (or GFCI-Ground Fault Current Interrupter), unplug the power and remove the pump from water.

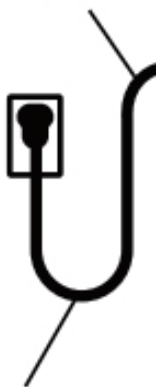
B. Carefully examine the pump after installation. It should not be plugged in if there is water on parts not intended to be wet.

C. Do not operate the pump if it has a damaged cord or plug, if it is malfunctioning or if it is dropped or damaged in any manner. The power cord of this pump cannot be replaced, if the cord is damaged, the pump should be discarded.

D. To avoid the possibility of the pump plug getting wet, position aquarium stand and tank to one side of a wall mounted receptacle to prevent water from dripping onto the receptacle or plug. A “drip loop”, shown in the figure below, should be arranged by the user for each cord connecting the pump to the receptacle. The “drip loop” is the part of the cord below the level of the receptacle, or the connector. If an extension cord is used, to prevent water traveling along the cord and coming in contact with the receptacle. If the plug or receptacle does get wet, DO NOT unplug the cord.

Disconnect the fuse to the circuit breaker that supplies power to the pump. Then unplug and examine for the presence of water in the receptacle.

POWER CORD



DRIP LOOP

3. Close supervision is necessary when the pump is used near children.
4. This pump is not allowed to be used by persons (including children) with reduced physical, sensory or mental capabilities, or lack of experience and knowledge, unless they have been given supervision or instruction concerning use of the pump by a person responsible for their safety.
5. To avoid injury, do not contact moving parts or hot parts and so on.
6. Always unplug the pump from the outlet when not in use, before putting on or taking off parts, and before maintenance or placing hands in the water. Never yank the cord to pull plug from outlet. Grasp the plug and pull to disconnect.
7. Do not use the pump for other than intended use. The use of attachments not recommended or sold by the appliance manufacturer may cause an unsafe condition.
8. Do not install or store the pump where it will be exposed to the weather or to temperatures below freezing. This pump is suitable for use in water temperatures 40~ 95°F.
9. Do not submerge more than 3ft of water depth.
10. Do not run dry or out of water.
11. Only use in freshwater or saltwater, do not use the pump in other liquids.
12. Make sure the pump is securely installed before operating it.
13. Read and observe all the important notices on the pump.

14. If an extension cord is necessary, a cord with a proper rating should be used. A cord rated for less amperes or watts than the appliance rating may overheat. Care should be taken to arrange the cord so that it will not be tripped over or pulled.

15. The pump is intended FOR HOUSEHOLD USE ONLY. Do not use or mount this pump in such a way that the top vents are restricted or blocked. These vents are necessary to avoid over heating and ensure safe operating temperatures.

16. Due to all the pumps need to be professional water testing by manufacturer before shipment, if the water pump you received with a little water, please don't worry, the little water was left from professional water testing, it is a normal phenomenon. It is new and normal pump.

17. SAVE THIS USER MANUAL.

8. MAINTENANCE AND TROUBLE RESOLVE

To clean the pump, follow these steps:

1. Remove the intake cover, sealing cover and the impeller.
2. Use a small brush or a steam of water to remove any debris.

If the pump is not working, please check the following:

- Check the circuit. Please try to plug the pump into another power socket to ensure it has power. Do not plug it in before operating.
- Check the pump outlet and tub for any blockage caused by dirt.
- Check the inlet cover to ensure not clogged by debris.
- Check the inlet cover to ensure not clogged by debris.
- Remove the pump inlet cover to access the impeller. Turn the rotor to check for any damage or obstruction.
- Regular monthly maintenance will prolong the life of the pump. Clean the rotor and remove the dirt.

Note: For indoor use, the power socket must be installed with a leakage current protection device, and the leakage current shall not exceed 30 mA (The installation of the leakage current protection device is the responsibility of the consumer.)

9. DISPOSAL

Do not dispose this product as unsorted municipal waste. Collection of such waste separately for special treatment is necessary. This product must not be disposed together with the domestic waste. This product has to be disposed at an authorized place for recycling of electrical and electronic appliances. By collecting and recycling waste, you help save natural resources, and make sure the product is disposed in an environmental friendly and healthy way.



10. ONE YEAR LIMITED WARRANTY

This product **MUST** be purchased from an authorized hygger reseller. Visit our website for a list of unauthorized resellers. hygger warrants this product against defects in materials and workmanship for **ONE(1) YEAR** from the date of the original retail purchase and is non-transferable.

Warranty on all products, including aquariums. But it is limited to the replacement of the products and does not cover fish loss, personal injury, property loss or direct, incidental or consequential damage caused by using this product.

Note: hygger One-year Limited Warranty does not cover damage caused by the followings: improper installation, saltwater corrosion, electrical surges or modifications.

If you discover a defect, please contact hygger, who will, at its option, repair or replace the product at no charge, provided that you return it during the warranty period. A copy of the bill of sale is required as proof of the original purchase date in the event of the product needing repairs within the warranty period. hygger does not warrant any products that are not hygger's.

This warranty does not apply if the product has been damaged by accident, abuse, misuse or misapplication, or modified without the written permission of hygger.

11. CONTACT INFORMATION

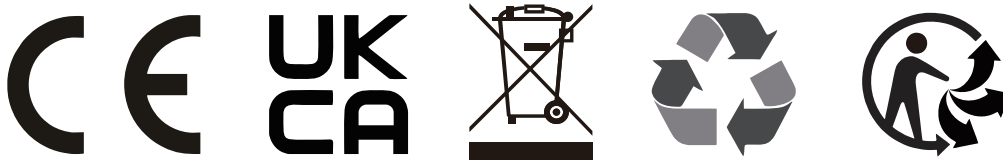
Distributed by: Hygger Aquarium, Inc.
Chino, CA 91710

E-mail: distributor@hyggeraquarium.com

Website: www.hyggeraquarium.com

Trademarks of Shenzhen Mago Trading Co., Ltd
Bantian Group Business Center, Longgang,
Shenzhen City, China
All Rights Reserved

If you have any problem, please provide your invoice and shipping address by E-mail: mago@hygger-online.com. If you have any problem, please provide your invoice and shipping address by E-mail: distributor@hyggeraquarium.com



MADE IN CHINA